

- United Kingdom Water Byelaws Scheme Approved Product, reference 8911040
- Suitable for use on potable and general duty water systems
- High flow units
- Balanced valve design ensures smooth quick response to sudden flow demands
- Panel Mounting facility

#### Technical Data

Medium:

Potable water

Maximum Inlet Pressure:

31,5 bar

Operating Temperature:

+2°C to +100°C

Recommended Regulated Pressures<sup>††</sup>:

0,7 - 8 bar standard

0,3 - 4 bar optional

1 - 16 bar optional

<sup>††</sup>Can be adjusted to zero bar outlet pressure and, generally, to pressures in excess of those specified

Gauge Ports:

G<sup>1</sup>/<sub>8</sub>

Maximum Flow with 10 bar inlet pressure, 6,3 bar outlet pressure and pressure drop of 0,2 bar:

22 litres/min

#### Materials

Brass body. Zinc alloy bonnet. Steel adjusting screw. Synthetic rubber elastomeric materials.

#### Ordering Information

To order a standard Water Regulator, quote model number from table overleaf.

For non-standard models substitute appropriate digits as instructed.



#### Port Sizes

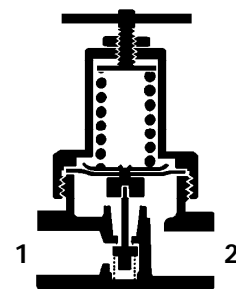
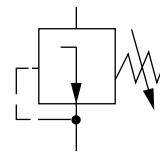
G<sup>1</sup>/<sub>4</sub>, G<sup>3</sup>/<sub>8</sub>, G<sup>1</sup>/<sub>2</sub> to ISO 1179

Accepts ISO 228 (BS 2779) parallel or ISO 7 (BS 21) taper connectors

#### Alternative Models

Other port thread forms

Non-potable Water Regulators, see pages 8.6.221.01 (R06) and 8.6.231.01 (11-809).





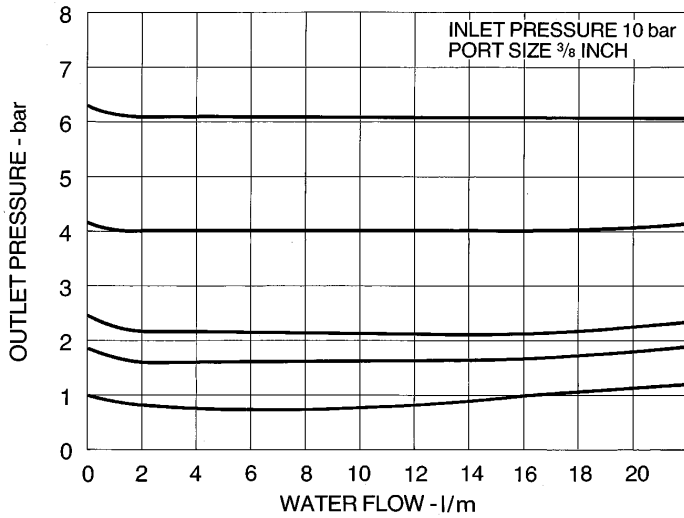
R43



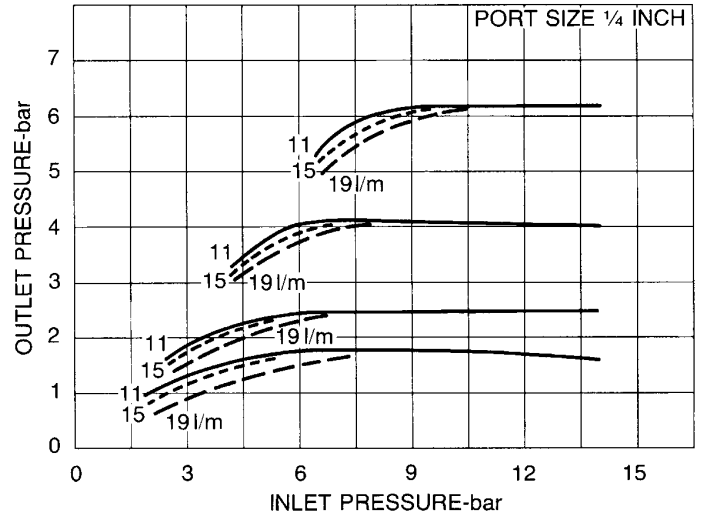
WBS Approved

## Typical Performance Characteristics

### FLOW CHARACTERISTICS



### REGULATION CHARACTERISTICS



## Standard Water Regulators

8 bar spring

Port Size	Model	Weight kg
G <sup>1</sup> / <sub>4</sub>	R43-201-NNLD	1,13
G <sup>3</sup> / <sub>8</sub>	R43-301-NNLD	1,14
G <sup>1</sup> / <sub>2</sub>	R43-401-NNLD	1,50

## Non-standard Models

For optional 4 bar or 16 bar springs, substitute 'F' or 'S' respectively for 'L' at the 9<sup>th</sup> digit, e.g. R43-201-NNFD.

For other options, please consult our Technical Service.

## Accessories

Wall Mounting Bracket Kit, see page 8.6.211.03.

Panel Mounting Nut, reference 5191-99.

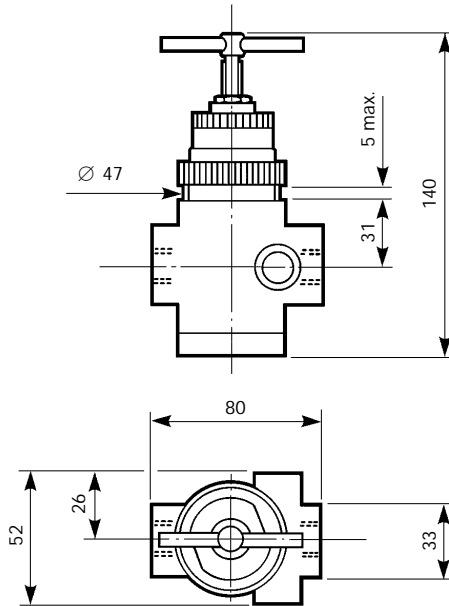
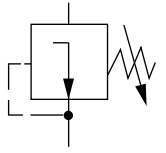
Tamper Resistant Kit, reference 18-004-988.

Pressure Gauges, see page 8.11.031.01.



## Water Regulator

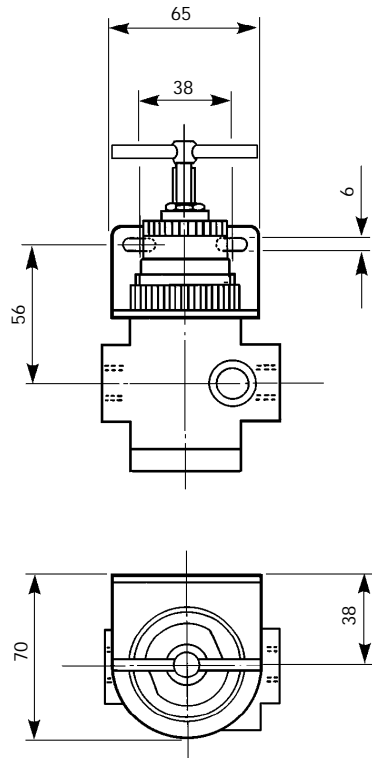
R43-201-NNLD G<sup>1</sup>/<sub>4</sub>  
 R43-301-NNLD G<sup>3</sup>/<sub>8</sub>  
 R43-401-NNLD G<sup>1</sup>/<sub>2</sub>



**Note:** Panel Mounting Nut not included.  
 Order separately as shown in Accessories.

## Bracket Mounting

**Bracket Kit reference:**  
 18-001-990





R43



WBS Approved

## Spares Kits

Type	Repair Kit
Non-relieving	R43-100N

---

## Warning

These products are intended for use in industrial compressed air systems only. Do not use these products where *pressures* and *temperatures* can exceed those listed under 'Technical Data'.

Before using these products with fluids other than those specified, for non-industrial applications, life-support systems, or other applications not within published specifications, consult NORGREN.

Through misuse, age, or malfunction, components used in fluid power systems can fail in various modes. The system designer is warned to consider the failure modes of all component parts used in fluid power systems and to provide adequate safeguards to prevent personal injury or damage to equipment in the event of such failure.

**System designers must provide a warning to end users in the system instructional manual if protection against a failure mode cannot be adequately provided.**

System designers and end users are cautioned to review specific warnings found in instruction sheets packed and shipped with these products.