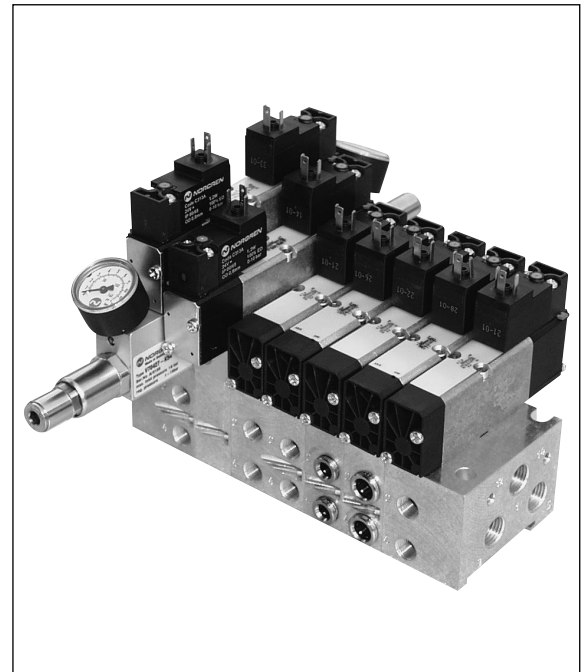


2x3/2, 5/2 and 5/3 Valves
Solenoid and Pilot Actuated
ISO 15407-1 / VDMA 24 563
Size 18 mm

- Compact design and high performance
- Flexible Sub-base system
- True multipressure system
- Wide range of accessories
- Dual spool technology
V40 Glandless spool and sleeve
V41 Softseal spool
- Collected pilot exhaust with internal pilot air supply
- Easy to convert from internal to external pilot supply
- Exchange of valves under pressure



Technical Data

Medium:

Compressed air, 40µm filtered, lubricated or non-lubricated

Operation:

V40: Glandless spool valve, solenoid pilot or air pilot actuated

V41: Softseal spool valve, solenoid pilot or air pilot actuated

Mounting:

On sub-bases

Size:

ISO 15407-1 / VDMA 24 563, 18 mm

Operating Pressure:

Maximum pressure

10 bar (145 psig) V41 models and V40 solenoid pilot actuated valves with internal pilot supply

16 bar (232 psig) V40 solenoid pilot actuated valves w. ext. pilot supply and V40 air pilot actuated valves

Details of minimum and maximum pilot pressure see overleaf

Flow Characteristics:

Series	Function	'C'	'b'	'A'	l/min	Cv	Kv
V40	5/2	2,39	0,19	9,14	570	0,58	0,50
V40	5/3 APB	2,39	0,31	9,88	610	0,62	0,53
V41	2x3/2 NC	2,49	0,24	9,83	610	0,62	0,53
V41	5/2	2,65	0,24	10,46	650	0,66	0,57
V41	5/3 APB	2,63	0,33	11,04	680	0,69	0,59

Ambient Temperature:

-15°C* to +50°C (5°F* to +122°F) V40/V41 sol. and V41 air pilot models

-15°C* to +80°C (5°F* to +176°F) V40 air pilot models

*Consult our Technical Service for use below +2°C (36° F)

Materials:

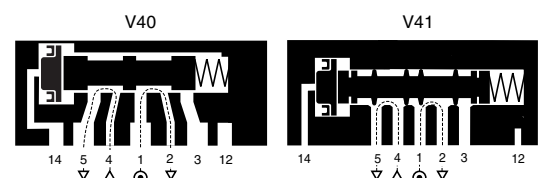
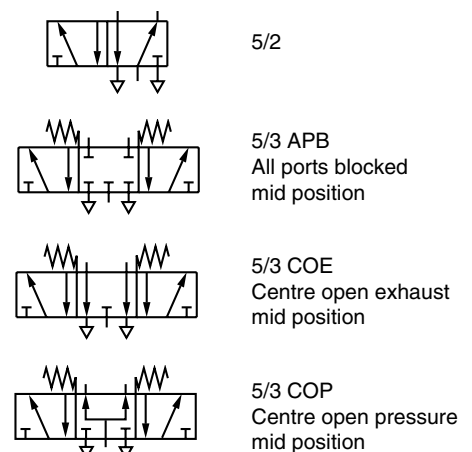
Aluminium alloy body (V40) and sub-bases, die cast aluminium body (V41). Hard anodised, Teflon coated, matched aluminium spool and sleeve(V40), aluminium alloy spool with HNBR Seals (V41). POM and PPA plastic parts and NBR static seals. End cover and screws zinc plated, stainless steel springs.

Ordering Information

To order select model number, add voltage code from table overleaf,

e.g. V415517D-C313A

for a 5/2 solenoid pilot actuated, spring return model, 24 V DC pilot.





General Information

2x3/2 Solenoid Pilot Actuated Valves

Symbol	Model	Function 2x3/2	Pilot Supply	Pilot Exhaust	Actuation 3/2 Function	Flow l/min	Operating Pressure bar (psig)	Pilot Pressure bar (psig)	Weight kg (lb.)	Spares Kit
	V415A11D-*****	Normally Closed	Internal	Collected ^x	Sol/Spring	610	2,5-10 (36-145)	-	0,18 (0,40)	V70447-K50
	V415A22D-*****	Normally Closed	External	Not Collected	Sol/Spring	610	0-10 (0-145)	1,7 + (0,35 x op. press.) (24,7 + (0,35x op.press.))	0,18 (0,40)	V70447-K50
	V415B11D-*****	Normally Open	Internal	Collected ^x	Sol/Spring	610	2,5-10 (36-145)	-	0,18 (0,40)	V70448-K50
	V415B22D-*****	Normally Open	External	Not Collected	Sol/Spring	610	0-10 (0-145)	1,7 + (0,35 x op. press.) (24,7 + (0,35x op.press.))	0,18 (0,40)	V70448-K50
	V415C11D-*****	Norm. Open/ Norm. Closed	Internal	Collected ^x	Sol/Spring	610/610	2,5-10 (36-145)	-	0,18 (0,40)	V70449-K50
	V415C22D-*****	Norm. Open/ Norm. Closed	External	Not collected	Sol/Spring	610/610	0-10 (0-145)	1,7 + (0,35 x op. press.) (24,7 + (0,35x op.press.))	0,18 (0,40)	V70449-K50

5/2 Solenoid Pilot Actuated Valves

Symbol	Model	Spool Techn.	Pilot Supply	Pilot Exhaust	Operator 14	Return 12	Flow l/min	Operating Pressure bar (psig)	Pilot Pressure bar (psig)	Weight kg (lb.)	Spares Kit
	V405513D-*****	Gl	Internal	Collected ^x	Solenoid	Air Spring	570	1-10 (14,5-145)	-	0,12 (0,26)	V70440-K50
	V415513D-*****	Ss	Internal	Collected ^x	Solenoid	Air Spring	650	1-10 (14,5-145)	-	0,13 (0,29)	V70442-K50
	V405523D-*****	Gl	External	Not collected	Solenoid	Air Spring	570	-0,9-16 (-13,1-232)	1-10 (14,5-145)	0,12 (0,26)	V70440-K50
	V415523D-*****	Ss	External	Not collected	Solenoid	Air Spring	650	-0,9-10 (-13,1-145)	1-10 (14,5-145)	0,13 (0,29)	V70442-K50
	V405516D-*****	Gl	Internal	Collected ^x	Solenoid	Spring & Air	570	1,6-10 (23,2-145)	-	0,13 (0,29)	V70440-K50
	V415517D-*****	Ss	Internal	Collected ^x	Solenoid	Spring	650	2-10 (29-145)	-	0,13 (0,29)	V70442-K50
	V405526D-*****	Gl	External	Not collected	Solenoid	Spring & Air	570	-0,9-16 (-13,1-232)	1,6-10 (23,2-145)	0,13 (0,29)	V70440-K50
	V415527D-*****	Ss	External	Not collected	Solenoid	Spring	650	-0,9-10 (-13,1-145)	2-10 (29-145)	0,13 (0,29)	V70442-K50
	V405511D-*****	Gl	Internal	Collected ^x	Solenoid	Solenoid	570	2-10 (29-145)	-	0,18 (0,40)	V70441-K50
	V415511D-*****	Ss	Internal	Collected ^x	Solenoid	Solenoid	650	2-10 (29-145)	-	0,18 (0,40)	V70443-K50
	V405522D-*****	Gl	External	Not collected	Solenoid	Solenoid	570	-0,9-16 (-13,1-232)	2-10 (29-145)	0,18 (0,40)	V70441-K50
	V415522D-*****	Ss	External	Not collected	Solenoid	Solenoid	650	-0,9-10 (-13,1-145)	2-10 (29-145)	0,18 (0,40)	V70443-K50
	V405591D-*****	Gl	Internal	Collected ^x	Solenoid (Priority)	Solenoid	570	2-10 (29-145)	-	0,18 (0,40)	V70441-K50
	V405592D-*****	Gl	External	Not collected	Solenoid (Priority)	Solenoid	570	-0,9-16 (-13,1-232)	2-10 (29-145)	0,18 (0,40)	V70441-K50

5/3 Solenoid Pilot Actuated Valves

Symbol	Model	Spool Techn.	Valve Function	Pilot Supply	Pilot Exhaust	Operator 14	Return 12	Flow l/min	Operating Pressure bar (psig)	Pilot Pressure bar (psig)	Weight kg (lb.)	Spares Kit
	V405611D-*****	Gl	APB	Internal	Collected ^x	Solenoid	Solenoid	610	2-10 (29-145)	-	0,18 (0,40)	V70441-K50
	V415611D-*****	Ss	APB	Internal	Collected ^x	Solenoid	Solenoid	680	2-10 (29-145)	-	0,18 (0,40)	V70444-K50
	V405622D-*****	Gl	APB	External	Not collected	Solenoid	Solenoid	610	-0,9-16 (-13,1-232)	2-10 (29-145)	0,18 (0,40)	V70441-K50
	V415622D-*****	Ss	APB	External	Not collected	Solenoid	Solenoid	680	-0,9-10 (-13,1-145)	2-10 (29-145)	0,18 (0,40)	V70444-K50
	V405711D-*****	Gl	COE	Internal	Collected ^x	Solenoid	Solenoid	610	2-10 (29-145)	-	0,18 (0,40)	V70441-K50
	V415711D-*****	Ss	COE	Internal	Collected ^x	Solenoid	Solenoid	680	2-10 (29-145)	-	0,18 (0,40)	V70445-K50
	V405722D-*****	Gl	COE	External	Not collected	Solenoid	Solenoid	610	-0,9-16 (-13,1-232)	2-10 (29-145)	0,18 (0,40)	V70441-K50
	V415722D-*****	Ss	COE	External	Not collected	Solenoid	Solenoid	680	-0,9-10 (-13,1-145)	2-10 (29-145)	0,18 (0,40)	V70445-K50
	V405811D-*****	Gl	COP	Internal	Collected ^x	Solenoid	Solenoid	610	2-10 (29-145)	-	0,18 (0,40)	V70441-K50
	V415811D-*****	Ss	COP	Internal	Collected ^x	Solenoid	Solenoid	680	2-10 (29-145)	-	0,18 (0,40)	V70446-K50
	V405822D-*****	Gl	COP	External	Not collected	Solenoid	Solenoid	610	-0,9-16 (-13,1-232)	2-10 (29-145)	0,18 (0,40)	V70441-K50
	V415822D-*****	Ss	COP	External	Not collected	Solenoid	Solenoid	680	-0,9-10 (-13,1-145)	2-10 (29-145)	0,18 (0,40)	V70446-K50

***** Insert 'Voltage Code' from table 'Voltage Codes and Spare Pilot Valves' on page 5.4.146.03
^x Pilot Exhaust collected and exhausted via port 14!

Spool Technology Designations:
 Gl = Glandless Spool and Sleeve
 Ss = Softseal Spool

Valve Function Designations:
 APB = All Ports Blocked
 COP = Centre Open Pressure

COE = Centre Open Exhaust



2x3/2 Air Pilot Actuated Valves (Softseal Spool)

Symbol	Model	Function 2x3/2	Actuation 3/2 Function	Flow l/min	Operating Pressure bar (psig)	Pilot Pressure bar (psig)	Weight kg (lb.)	Spares Kit
	V415A33A-X0020	Normally Closed	Air/Spring	610	0-10 (0-145)	1,7 + (0,35 x op. pressure) (24,7 + (0,35 x op. pressure))	0,12 (0,26)	V70447-K50
	V415B33A-X0020	Normally Open	Air/Spring	610	0-10 (0-145)	1,7 + (0,35 x op. pressure) (24,7 + (0,35 x op. pressure))	0,12 (0,26)	V70448-K50
	V415C33A-X0020	Normally Open/ Normally Closed	Air/Spring	610/ 610	0-10 (0-145)	1,7 + (0,35 x op. pressure) (24,7 + (0,35 x op. pressure))	0,12 (0,26)	V70449-K50

5/2 Air Pilot Actuated Valves

Symbol	Model	Spool Techn.	Operator 14	Return 12	Flow l/min	Operating Pressure bar (psig)	Pilot Pressure bar (psig)	Weight kg (lb.)	Spares Kit
	V405537A-X0090	GI	Air	Spring	570	-0,9-16 (-13,1-232)	1,6-16 (23,2-232)	0,11 (0,24)	V70440-K50
	V415537A-X0090	Ss	Air	Spring	650	-0,9-10 (-13,1-145)	2-10 (29-145)	0,10 (0,22)	V70442-K50
	V405533A-X0020	GI	Air	Air	570	-0,9-16 (-13,1-232)	2-16 (29-232)	0,11 (0,24)	V70441-K50
	V415533A-X0020	Ss	Air	Air	650	-0,9-10 (-13,1-145)	2-10 (29-145)	0,11 (0,24)	V70443-K50
	V405533A-X0070	GI	Air (Priority)	Air	570	-0,9-16 (-13,1-232)	2-16 (29-232)	0,11 (0,24)	V70441-K50

5/3 Air Pilot Actuated Valves

Symbol	Model	Spool Techn.	Valve Function	Operator 14	Return 12	Flow l/min	Operating Pressure bar (psig)	Pilot Pressure bar (psig)	Weight kg (lb.)	Spares Kit
	V405633A-X0020	GI	APB	Air	Air	610	-0,9-16 (-13,1-232)	2-16 (29-232)	0,11 (0,24)	V70441-K50
	V415633A-X0020	Ss	APB	Air	Air	680	-0,9-10 (-13,1-145)	2-10 (29-145)	0,12 (0,26)	V70444-K50
	V405733A-X0020	GI	COE	Air	Air	610	-0,9-16 (-13,1-232)	2-16 (29-232)	0,11 (0,24)	V70441-K50
	V415733A-X0020	Ss	COE	Air	Air	680	-0,9-10 (-13,1-145)	2-10 (29-145)	0,12 (0,26)	V70445-K50
	V405833A-X0020	GI	COP	Air	Air	610	-0,9-16 (-13,1-232)	2-16 (29-232)	0,11 (0,24)	V70441-K50
	V415833A-X0020	Ss	COP	Air	Air	680	-0,9-10 (-13,1-145)	2-10 (29-145)	0,12 (0,26)	V70446-K50

Spool Technology Designations: GI = Glandless Spool and Sleeve
Ss = Softseal Spool

Valve Function Designations: APB = All Ports Blocked
COE = Centre Open Exhaust
COP = Centre Open Pressure

Electrical Details for Solenoid Pilot

Voltage Tolerances	-10% / +15%
Rating	100% Continuous Duty
Inlet orifice	0.8 mm
Electrical Connection	DIN 43 650 table 'C'
Manual Override	Shrouded push button, spring return Convertible into lockable type with Set-up Kit Part no. V70532-K00 (see page 5.4.146.04)
Protection Class	IP 65 with sealed plug (ISO 6952) NEMA 4
Materials	PPS (body), Viton and NBR (seals)

Connector plugs to be ordered separately. For technical data see section 7.7.001. Intrinsically safe version available on request.

*****Voltage Codes and Spare Pilot Valves

Voltage	Code	Power Inrush / Hold	Pilot Valve Part.-no.
12 V d.c.	C312A	1 W	VZC7L2C1-C312A
24 V d.c.	C313A	1.2 W	VZC7L2C1-C313A
24 V 50/60 Hz.	C314A	2.1 / 1.5 VA	VZC7L2C1-C314A
48 V 50/60 Hz	C316A	2.1 / 1.5 VA	VZC7L2C1-C316A
110 V d.c.	C317A	1 W	VZC7L2C1-C317A
115 V 50/60 Hz	C318A	2.1 / 1.5 VA	VZC7L2C1-C318A
230 V 50/60 Hz	C319A	2.1 / 1.5 VA	VZC7L2C1-C319A

Other voltages available on request. Spare pilot valves are delivered with mounting screws.



Bases and Accessories

Bases

Sub-base Assemblies Side Ported	Sub-base Assemblies Side Ported with Pilot Ports	Sub-base Assemblies Bottom Ported	Sub-base Assemblies Bottom Ported with Pilot Ports	Single Station Sub-base Side Ported with Pilot Ports
V41xAX**-XXXXX Single Pressure	V41xEX**-XXXXX Single Pressure	V41ACX**-XXXXX Single Pressure	V41AFX**-XXXXX Single Pressure	V70401-A5B (G1/8)
V41xAX**-**XXX Dual Pressure	V41xEX**-**XXX Dual Pressure	V41ACX**-**XXX Dual Pressure	V41AFX**-**XXX Dual Pressure	V70401-P5B (1/8NPTF)
Modular Sub-base Side Ported without Pilot Ports	Modular Sub-base Side Ported with Pilot Ports	Modular Sub-base Side Ported (PIF) without Pilot Ports	Modular Sub-base Side Ported (PIF) with Pilot Ports	Modular Sub-base Bottom Ported without Pilot Ports
V70425-A5F (G1/8)	V70426-A5F (G1/8)	V70425-65F (ø6 mm)	V70426-65F (ø6 mm)	V70425-A5E (G1/8)
V70425-P5F (1/8NPTF)	V70426-P5F (1/8NPTF)	V70425-85F (ø8 mm)	V70426-85F (ø8 mm)	
		V70425-15F (ø1/4")	V70426-15F (ø1/4")	
Modular Sub-base Bottom Ported with Pilot Ports on side	End Plate Kit End Ported	Double Station Modular Sub-base Side Ported without Pilot Ports	End Plate Kit with 2 Side Ported Valve Stations without Pilot Ports	Fixed Length Sub-base Bottom Ported
V70426-A5E (G1/8)	V70424-B5C (G1/4)	V70432-A5F (G1/8")	V70431-A5F (G1/4, G1/8)	V704**-A50 (G1/8)
	V70424-R5C (1/4NPTF)	V70432-P5F (1/8NPTF)	V70431-P5F (1/4, 1/8NPTF)	V704**-P50 (1/8NPTF)
				** = 02,04,06,08,10,12 stations

x Insert Code for port type. See table on page 5.4.146.07 or 5.4.146.08

** Insert number of valve stations in sub-base assemblies.

- Insert valve station to indicate position of Dual Pressure Blanking Disk. See page 5.4.146.08

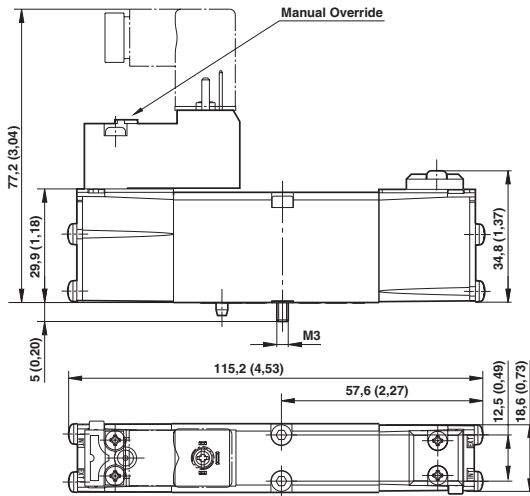
Accessories

Intermediate Supply/Exhaust Module	Single Valve Shut-Off Plate	Single Pressure Regulator Plate	Double Pressure Regulator Plate	Flow Regulator Plate
V70429-A50 (G1/8)	V70430-K50 (Port 1 blocked)	V70427-K51 (Port 1 reg.)	V70427-K54 (Ports 2+4 reg.)	V70428-K50 (Ports 3+5 reg.)
V70429-P50 (1/8NPTF)		V70427-K52 (Port 2 reg.)		
		V70427-K53 (Port 4 reg.)		
Sandwich Plate with additional Pressure Port 1	DIN EN 50 022 rail (1 metre)	DIN-rail Mounting Kit	Blanking Plate for unused Station	Blanking Disk to Modular Sub-base
V70435-A50 (G1/8)	V10009-C00 (35x7.5mm)	V70531-KA0	V70400-K50	V70422-K50 (Ports 1,3,5)
V70435-P50 (1/8NPTF)	V10592-C01 (35x15mm)			V70423-K50 (Ports 12+14)
Blanking Plug for Fixed Length Sub-base	Manual Override Set-Up Kit	Transition Plate #18 mm → #26 mm*	Transition Plate #18 mm → #26 mm* with Supply and Exhaust Ports	
V70421-K50 (Ports 1,3,5)	V70532-K00	V70436-K00	V70436-B00 (G1/4)	

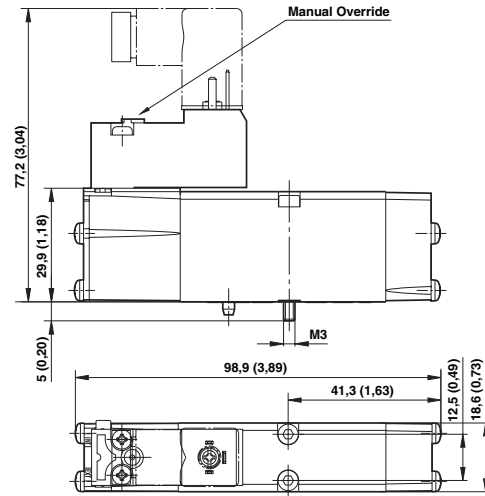
*For technical data on V44 / V45 Mini ISO series size 26 mm see section 5.4.152



V4155*3D-C3* Models**
5/2 Single Solenoid Pilot Valve
Air Spring Return

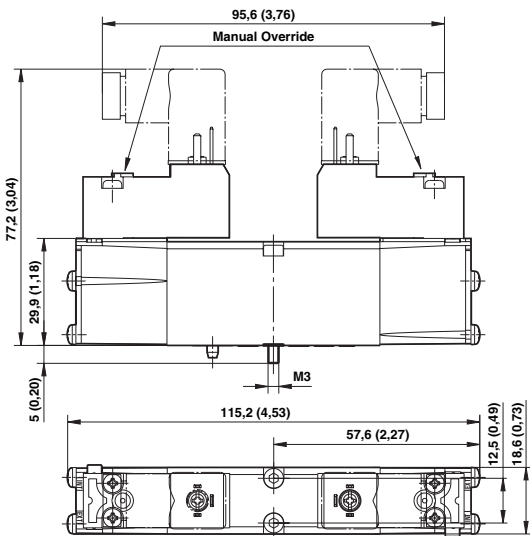


V4055D-C3*** and**
V4155*7D-C3* Models**
5/2 Single Solenoid Pilot Valve
Mechanical (& Air) Spring Return

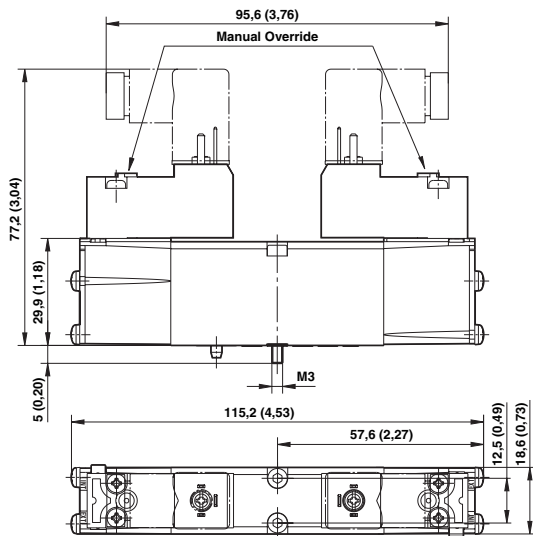


All dimensions in mm (inch)!

V4055D-C3*** and**
V4155D-C3*** Models**
5/2 Double Solenoid Pilot Valve

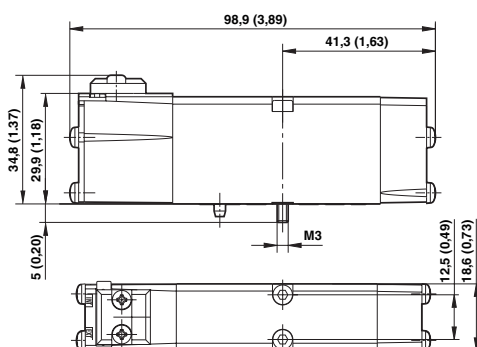


V405*D-C3*** and**
V415*D-C3*** Models**
2x3/2 + 5/3 Double Solenoid Pilot Valve

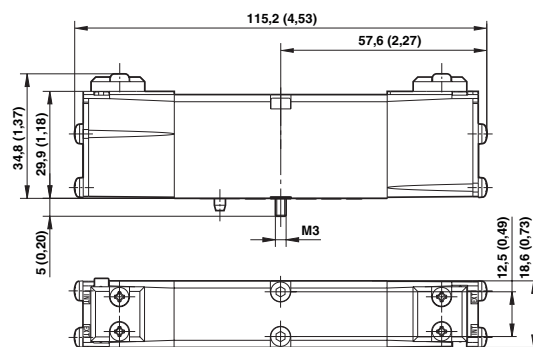


All dimensions in mm (inch)!

V415537A-X0090
5/2 Single Air Pilot Valve



V405537A-X0090 5/2 Single Air Pilot Valve
V405*33A-X00*0 and
V415*33A-X00*0 Models
2x3/2, 5/2 + 5/3 Double Air Pilot Valve



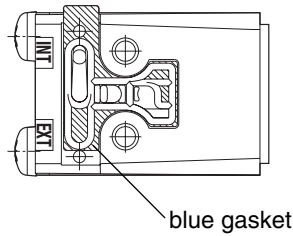
All dimensions in mm (inch)!



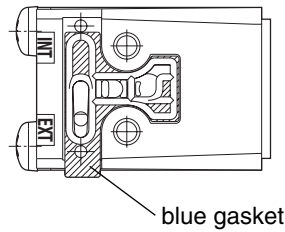
Conversion from internal to external pilot supply / Collected pilot exhaust

The lowered and captive gasket between valve body and pilot valve defines and indicates pilot air supply as well as pilot exhaust function of the valve.

Solenoid pilot actuated valves



Drawing shows no pilot valve.



Internal pilot supply, pilot exhaust air collected and exhausted via port 14.

All solenoid pilot valves with code 1 at position 6 in the part number (e.g V41551...) have the gasket mounted in this position on delivery.

External pilot supply from port 14 only, pilot exhaust air not collected but bleed through valve body.

All solenoid pilot valves with code 2 at position 6 in the part number (e.g V41552...) have the gasket mounted in this position on delivery.

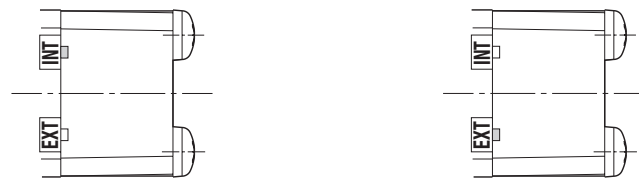
Note: Dismounting pilot valve gives access to gasket. Conversion from internal to external pilot supply (or vice versa) by turning the gasket.
Caution: In this case part number and symbol on label shows different function. Therefore check gasket position when mounting valve.

V40-5/2 Solenoid pilot actuated valves with air spring return

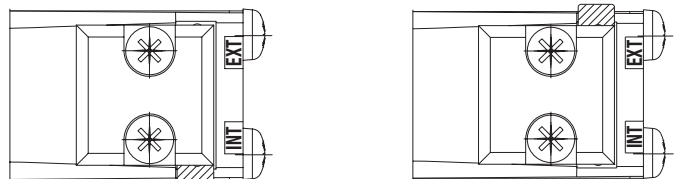
Additional to above described work, gasket between end cap and valve body must be turned too at valves with this function. For detailed instructions see Installation- and Maintenance Sheet.

V41-5/2 Solenoid pilot actuated valves with air spring return

Additional to above described work, gasket between cover plate and end cap must be turned too at valves with this function. For detailed instructions see Installation- and Maintenance Sheet.



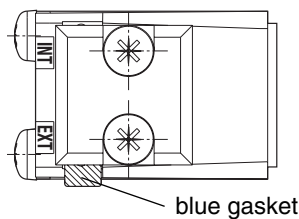
Drawing shows end cap side 12.



Drawing shows end cap side 12.

Air pilot actuated valves

Drawing includes cover plate.

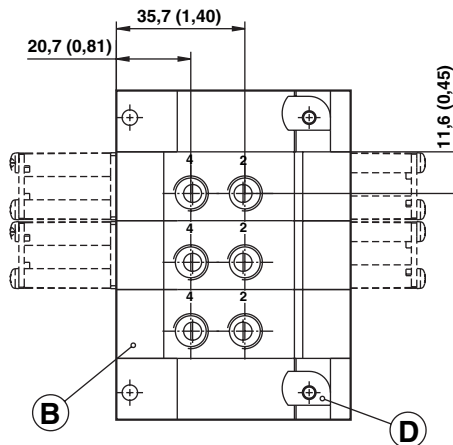


Air pilot actuated valves External pilot supply.

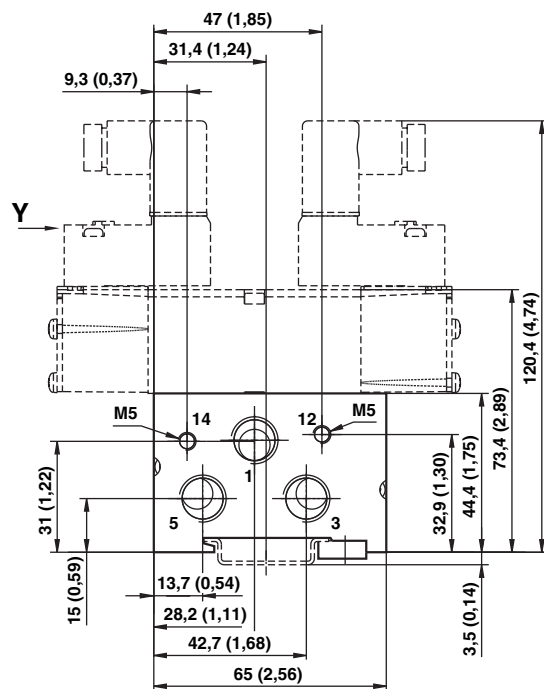
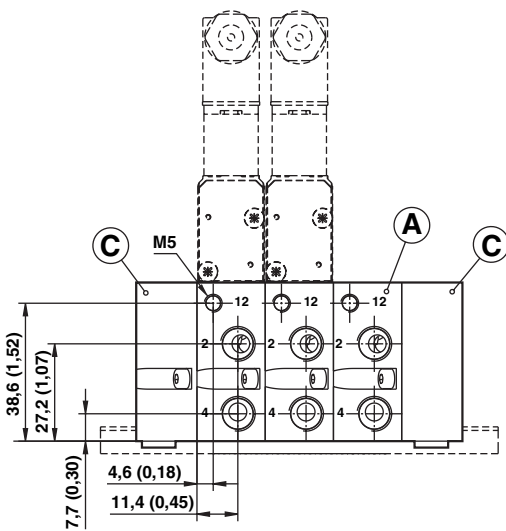


Modular Sub-bases parts for DIN rail or surface mounting

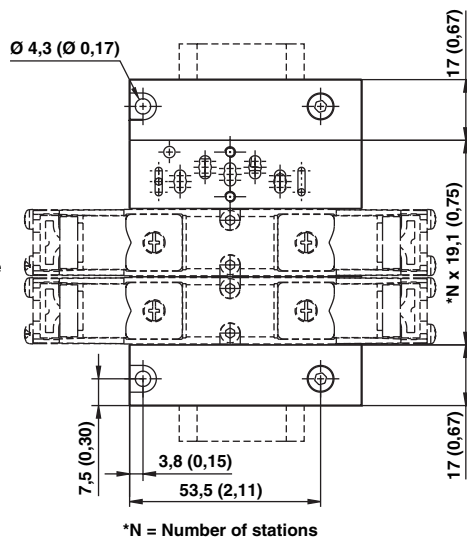
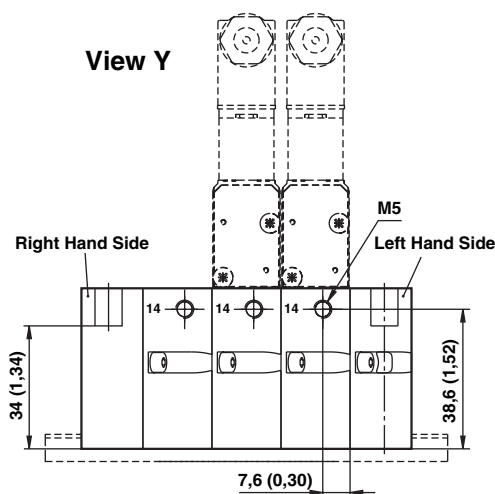
Bottom ported sub-base



Side ported sub-base



Bottom and side ported sub-base



*N = Number of stations

Individual components

Modular Sub-base Ⓐ 0,12 kg
Ports 2+4 on side (0,26 lb)
V70425-x5F

Modular Sub-base Ⓐ 0,12 kg
Ports 2+4 on side (0,26 lb)
Pilot Ports 12+14 on side
V70426-x5F

Modular Sub-base Ⓑ 0,12 kg
Ports 2+4 on bottom (0,26 lb)
V70425-A5E

Modular Sub-base Ⓑ 0,12 kg
Ports 2+4 on bottom (0,26 lb)
Pilot Ports 12+14 on side
V70426-A5E

End Plate Kit Ⓒ 0,21 kg
End Ported (0,46 lb)

V70424-B5C (G1/4)
V70424-R5C (1/4NPTF)
End ported end caps
1 left hand and 1 right hand

Accessories

DIN EN 50022 rail 0,31 kg
35 x 7,5 mm, 1m (0,68 lb)
V10009-C00

DIN EN 50022 rail 1,02 kg
35 x 15 mm, 1m (2,25 lb)
V10592-C01

DIN rail Mounting Kit Ⓓ 0,01 kg
V70531-KA0 (0,02 lb)

Blanking Disk to Modular Sub-base 0,01 kg
Ports 1, 3, 5 (0,02 lb)
V70422-K50

Blanking Disk to Modular Sub-base 0,01 kg
Ports 12+14 (0,02 lb)
V70423-K50

x/y = Insert port type from table below

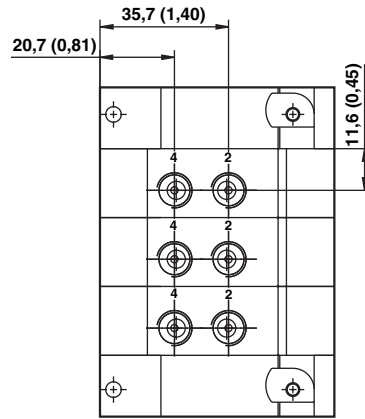
Code x	Ports 2+4	Ports 12+14
A	G1/8	M5
P	1/8NPTF	M5
8	ø 8 mm PIF	M5
6	ø 6 mm PIF	M5
1	ø 1/4" PIF	M5

Note:

Port 14 either used for external pilot air supply or for collected pilot air exhaust.
Therefore, do never plug port 14 when using valves with internal pilot air supply.
Port 12 is not used, plugging not necessary.



Modular Sub-base Assemblies for DIN rail or surface mounting



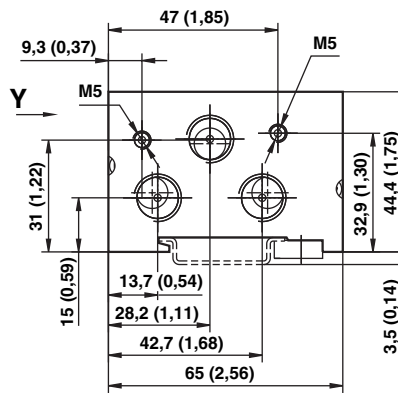
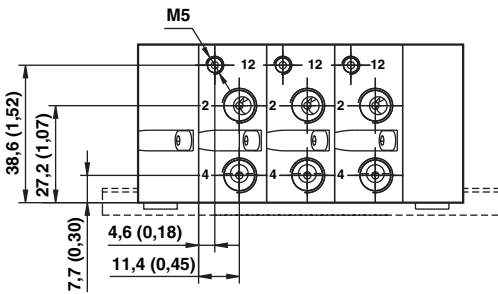
Modular Sub-base Assemblies
Side Ported without Pilot Ports
V41xAX-XXXXX**

Modular Sub-base Assemblies
Side Ported with Pilot Ports
V41xEX-XXXXX**

Modular Sub-base Assemblies
Bottom Ported without Pilot Ports
V41ACX-XXXXX**

Modular Sub-base Assemblies
Bottom Ported with Pilot Ports
V41AFX-XXXXX**

** = Insert number of valve station



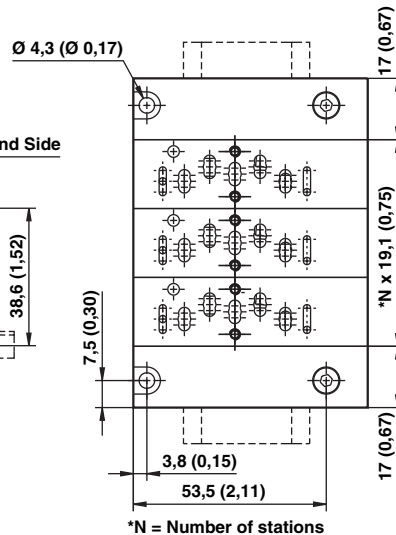
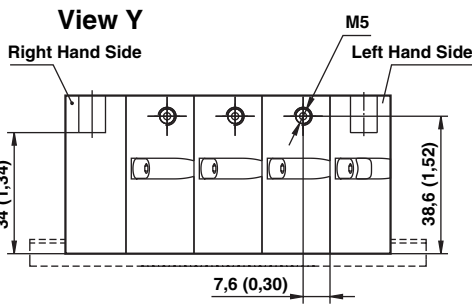
Dual Pressure Modular Sub-base Assemblies
Side Ported without Pilot Ports
V41xAX-**XXX**

Dual Pressure Modular Sub-base Assemblies
Side Ported with Pilot Ports
V41xEX-**XXX**

Dual Pressure Modular Sub-base Assemblies
Bottom Ported without Pilot Ports
V41ACX-**XXX**

Dual Pressure Modular Sub-base Assemblies
Bottom Ported with Pilot Ports
V41AFX-**XXX**

_ indicates position of Dual Pressure Blanking Plate e.g V41AFX03-04XXX indicates a 7 station base divided into groups of 3 and 4.



Weight:
(N x 0,12 kg (0,26 lb)) + 0,21 kg (0,46 lb)

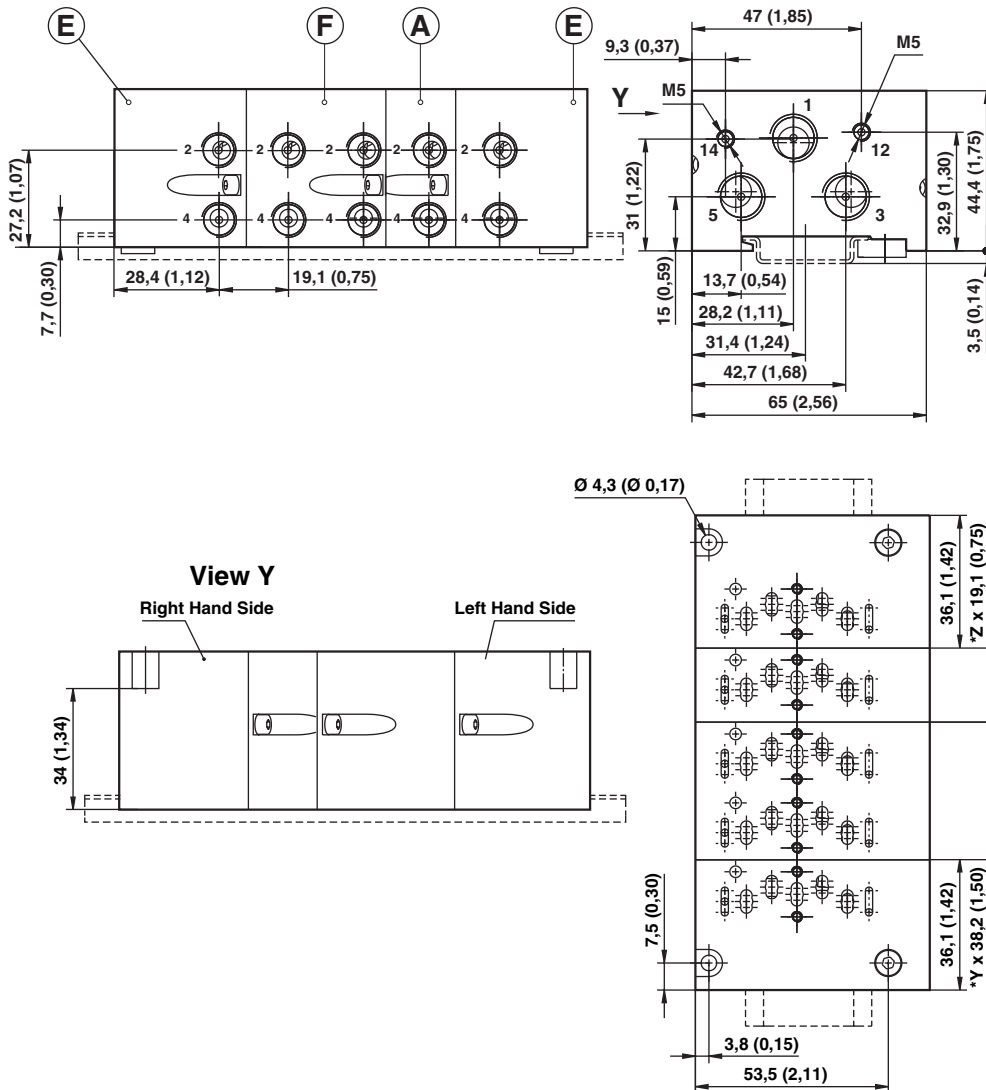
x = Insert port type from table below

Note:
Port 14 either used for external pilot air supply or for collected pilot air exhaust. **Therefore, do never plug port 14 when using valves with internal pilot air supply.** Port 12 is not used, plugging not necessary.

Code	Ports 2+4 Modular Sub-base	Ports 1/3/5	Ports 12+14
A	G1/8	G1/4	M5
P	1/8NPTF	1/4NPTF	M5
8	Ø 8 mm PIF	G1/4	M5
6	Ø 6 mm PIF	G1/4	M5
1	Ø 1/4" PIF	1/4NPTF	M5



Modular Sub-base Assemblies for DIN rail or surface mounting with Double Station Sub-base and End Plates with Valve Stations



Individual components

Modular Sub-base ^(A) 0,12 kg
 Ports 2+4 on side (0,26 lb)
V70425-x5F
 (Details see page 5.4.146.07)

Double Station ^(F)
Modular Sub-base 0,24 kg
 Ports 2+4 on side (0,53 lb)
V70432-x5F

End Plate Kit with Valve Stations ^(E)
 Ports 2+4 on side 0,4 kg (0,88 lb)
V70431-A5F
V70431-P5F
 (1/3/5 G1/4, 2/4 G1/8)
 (1/3/5 1/4NPTF, 2/4 1/8NPTF)
 End ported end caps
 1 left hand and 1 right hand

Weight:
 (Total number of stations x 0,12 kg (0,26 lb)) + 0,16 kg (0,35 lb)

x = Insert port type from table below

*Y = Number of Double Station Modular Sub-base
 *Z = Number of Modular Sub-bases

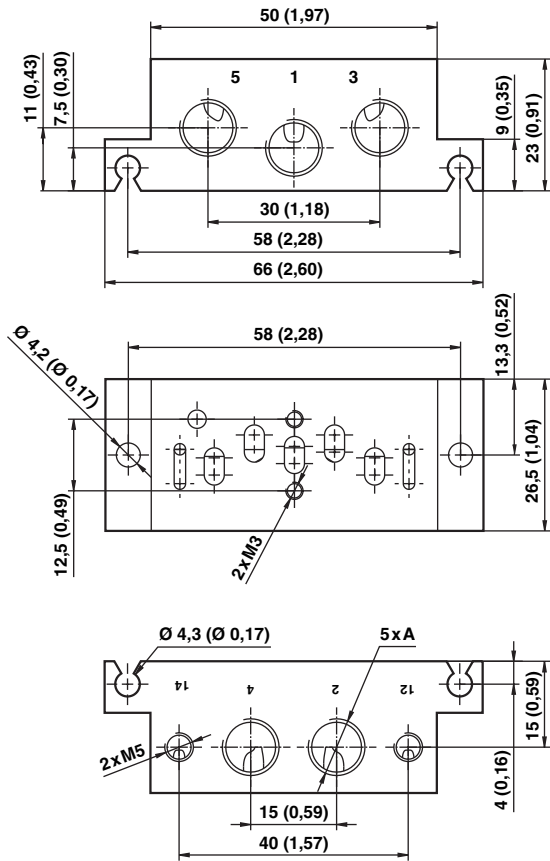
Note:

Port 14 either used for external pilot air supply or for collected pilot air exhaust. **Therefore, do never plug port 14 when using valves with internal pilot air supply.** Port 12 is not used, plugging not necessary.

Code	Ports 2+4 Double Station Modular Sub-base	Ports 1/3/5
A	G1/8	G1/4
P	1/8NPTF	1/4NPTF



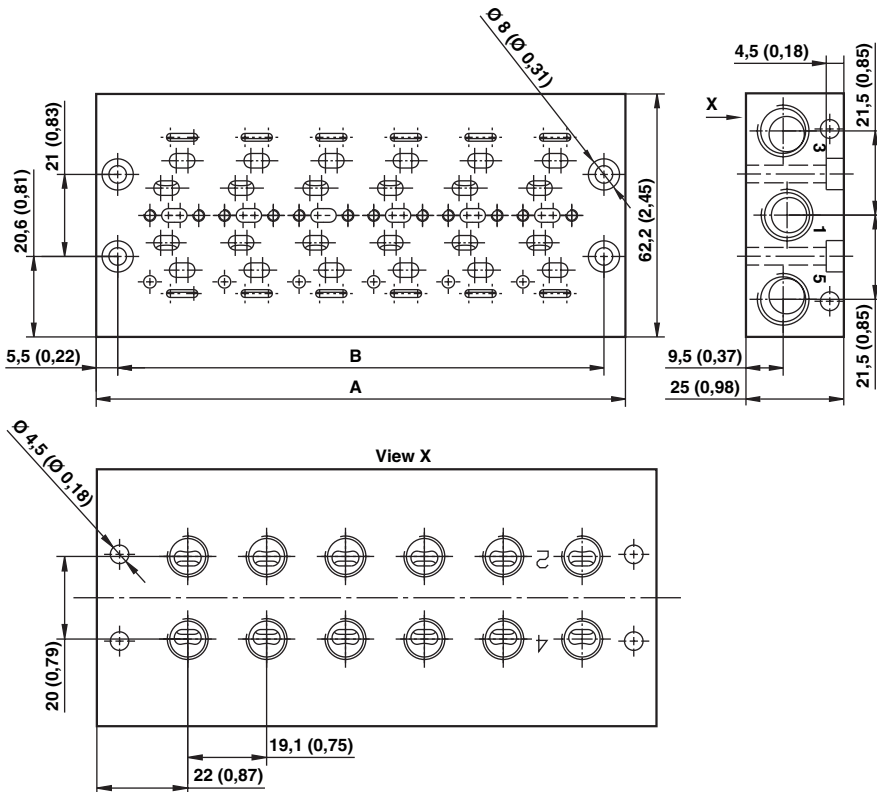
Single Station Sub-base - Side Ported with Pilot Ports



Model	Port Size A	Weight kg (lb)
V70401-A5B	G1/8 Side Ported with Pilot Ports	0,08 (0,18)
V70401-P5B	1/8NPTF Side Ported with Pilot Ports	

Note: Pilot Ports for both types = M5!

Fixed Length Sub-base - Bottom Ported



Model	No. of Stations	A mm (inch)	B mm (inch)	Weight kg (lb)
V70402-x50	2	59,1 (2,33)	48,1 (1,89)	0,18 (0,40)
V70404-x50	4	97,3 (3,83)	86,3 (3,40)	0,30 (0,66)
V70406-x50	6	135,5 (5,34)	124,5 (4,90)	0,42 (0,93)
V70408-x50	8	173,7 (6,84)	162,7 (6,41)	0,54 (1,19)
V70410-x50	10	211,9 (8,34)	200,9 (7,91)	0,66 (1,46)
V70412-x50	12	250,1 (9,85)	239,1 (9,41)	0,78 (1,72)

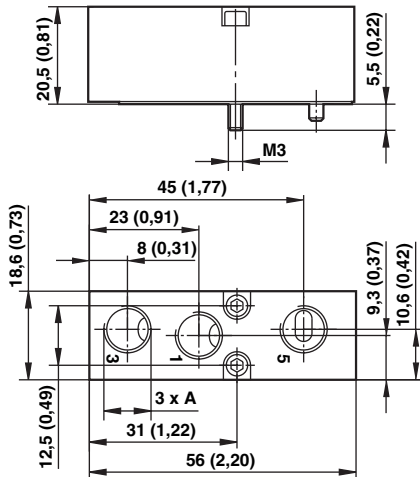
x = Insert port type from table below.

Code	Ports 2 + 4	Ports 1/3/5
A	G1/8	G1/4
P	1/8NPTF	1/4NPTF

Note: This sub-base is suitable for solenoid pilot actuated valves with internal pilot air supply only.



Intermediate Supply / Exhaust Module



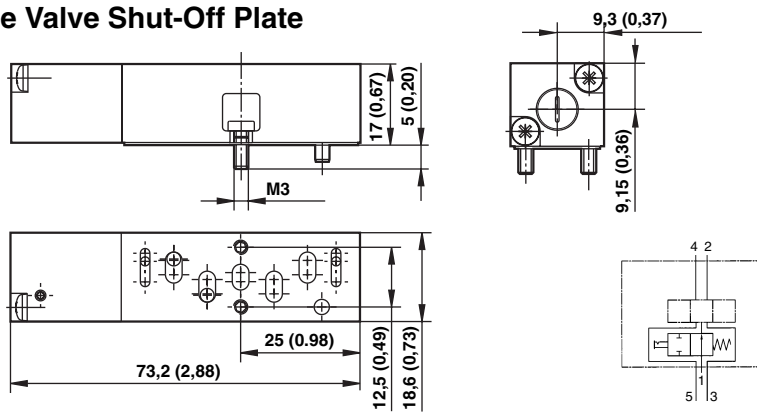
Model	Port Size A	Weight kg (lb)
V70429-A50	G1/8	0,05
V70429-P50	1/8NPTF	(0,11)

Provides additional porting on Modular- or Fixed Length Sub-base.
Occupies one valve station.
Supplied with gasket for both sub-bases.

Can be used to:

- Improve supply flow
- Increase exhaust capacity
- Pneumatically separate valves for fail save emergency
- Multipressure system and system solutions

Single Valve Shut-Off Plate

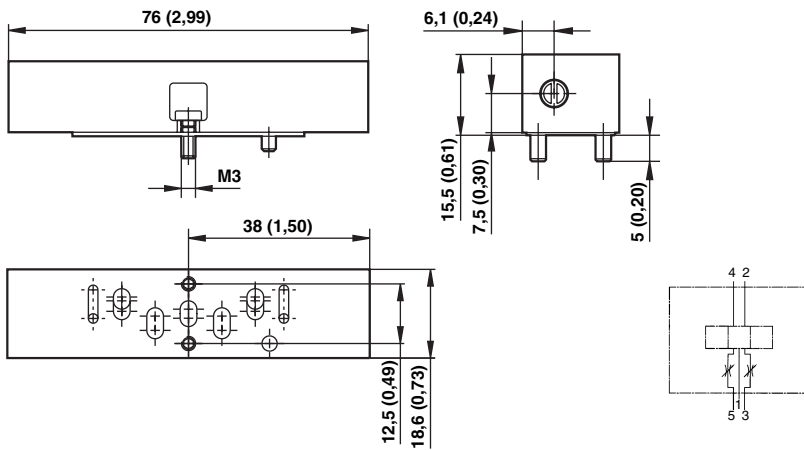


Model	Description	Weight kg (lb)
V70430-K50	Single Shut-Off Plate supplied with gasket	0,06 (0,13)

Allows individual exchange of valve, while valve island is pressurised by port 1!

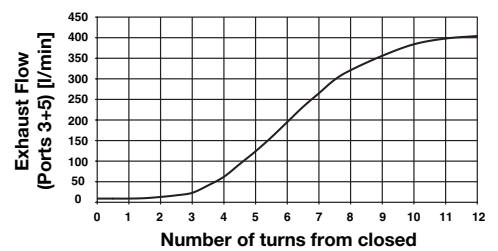
Note: Flow restricted to max. 240 l/min

Flow Regulator Plate



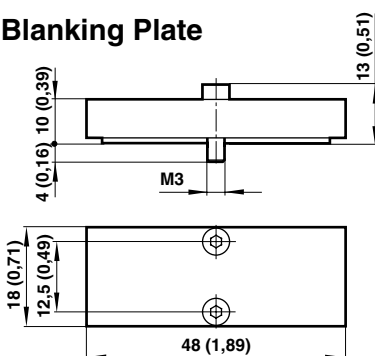
Model	Description	Weight kg (lb)
V70428-K50	Flow Regulator supplied with gasket	0,06 (0,13)

Dual Regulation of Exhaust Ports 3 and 5



Flow: Port 1 → 2 and 1 → 4: remains unchanged
Flow measured at 6 bar inlet, Pressure drop 1 bar

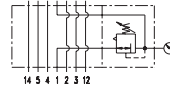
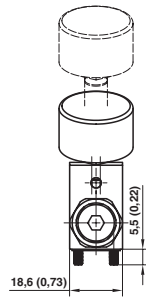
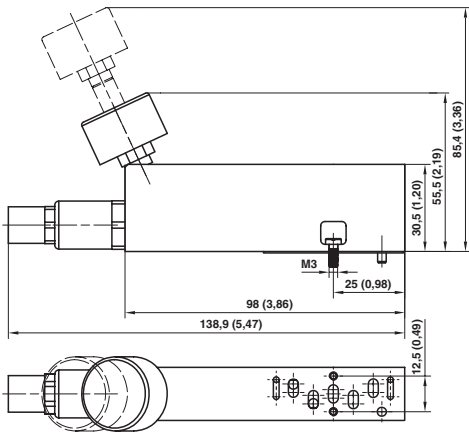
Blanking Plate



Model	Description	Weight kg (lb)
V70400-K50	Blanking Plate for blocking of unused Stations (supplied with gasket)	0,02 (0,04)



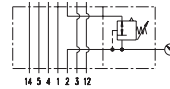
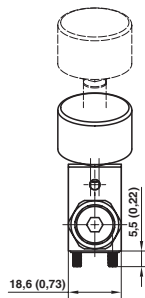
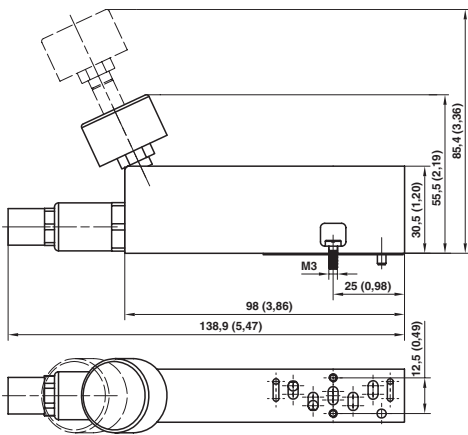
Pressure Regulator Plates (including gauge and adapter tube)



Model	Description	Weight kg (lb)
V70427-K51	Regulation of Port 1	0,21 (0,46)

Maximum inlet pressure 16 bar
(232 psig)
Regulated pressure 1–10 bar
(14,5–145 psig)

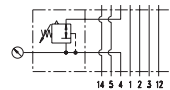
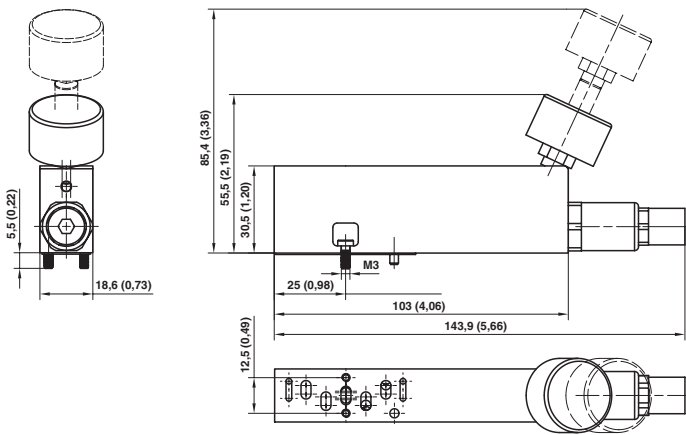
Flow Characteristics
see page 5.4.146.13



Model	Description	Weight kg (lb)
V70427-K52	Regulation of Port 2	0,21 (0,46)

Maximum inlet pressure 16 bar
(232 psig)
Regulated pressure 1–10 bar
(14,5–145 psig)

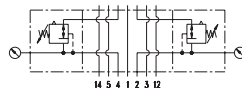
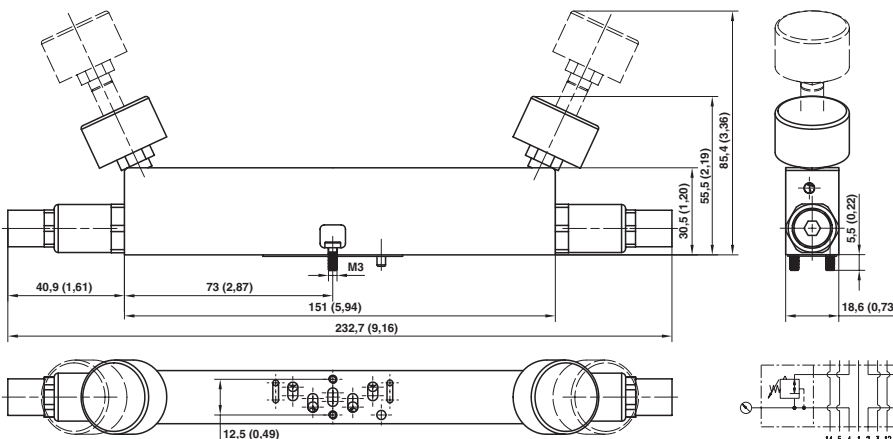
Flow Characteristics
see page 5.4.146.13



Model	Description	Weight kg (lb)
V70427-K53	Regulation of Port 4	0,21 (0,46)

Maximum inlet pressure 16 bar
(232 psig)
Regulated pressure 1–10 bar
(14,5–145 psig)

Flow Characteristics
see page 5.4.146.13



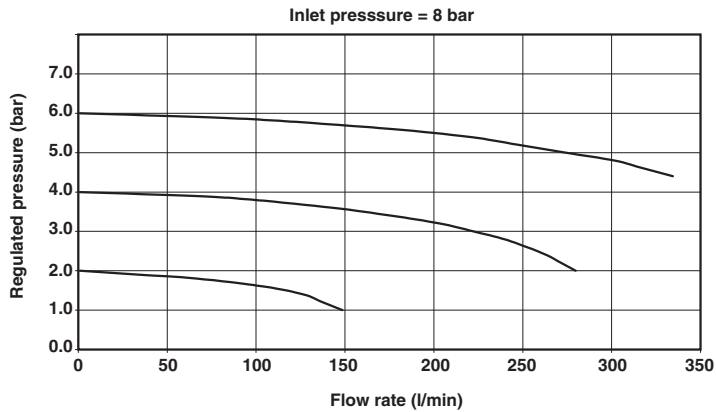
Model	Description	Weight kg (lb)
V70427-K54	Regulation of Ports 2+4	0,36 (0,79)

Maximum inlet pressure 16 bar
(232 psig)
Regulated pressure 1–10 bar
(14,5–145 psig)

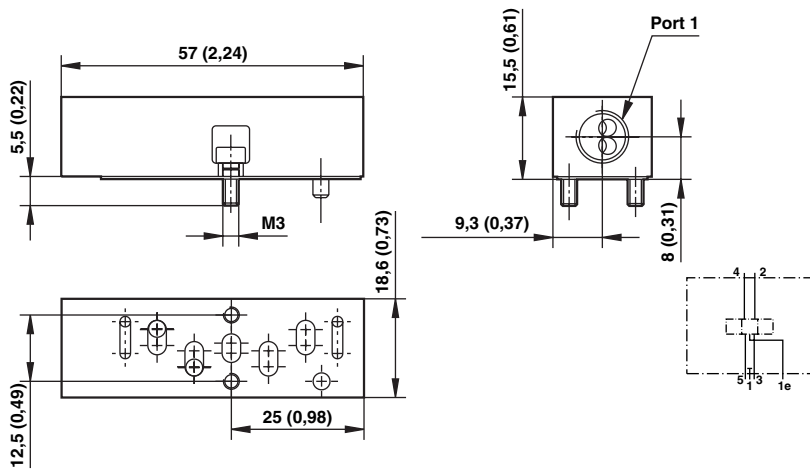
Flow Characteristics
see page 5.4.146.13



Flow Characteristics for Pressure Regulator Plates

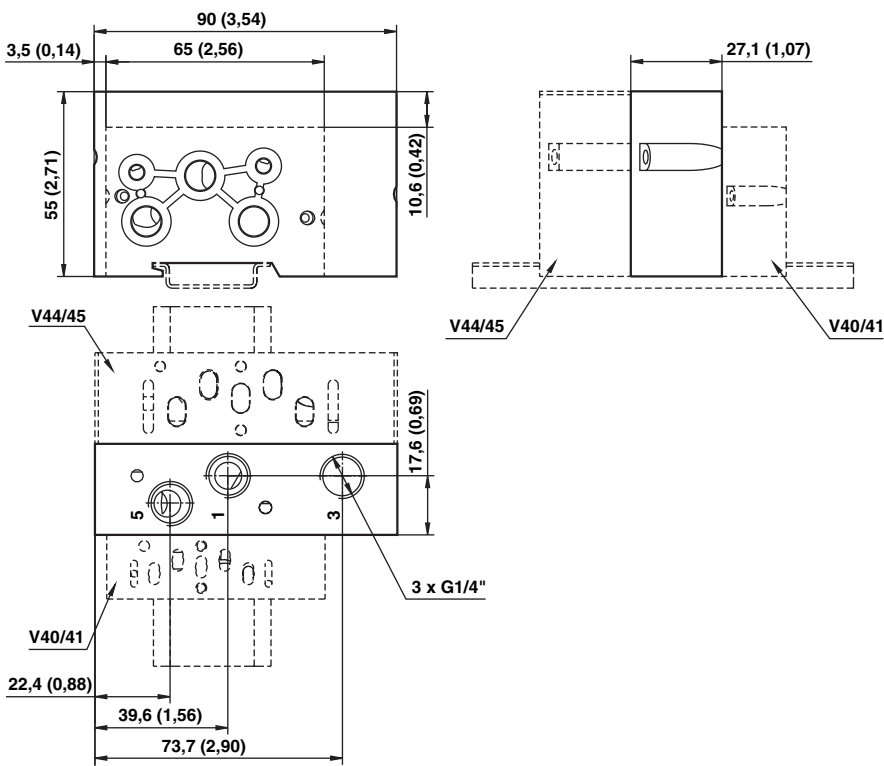


Sandwich Plate with additional Pressure Port 1



Model	Description	Weight kg (lb)
V70435-A50	Sandwich Plate with additional Port 1 G1/8, supplied with gasket	0,04 (0,09)
V70435-P50	Sandwich Plate with additional Port 1 1/8 NPTF, supplied with gasket	0,04 (0,09)

Transition Plate #18 mm → #26 mm



Model	Description	Port 1/3/5	Weight kg (lb)
V70436-K00	Transition Plate # 18 - # 26 mm	without Port 1/3/5	0,32 (0,71)
V70436-B00	Transition Plate # 18 - # 26 mm with Supply/ Exhaust Ports	G1/4	0,31 (0,68)



Warning

These products are intended for use in industrial compressed air systems only. Do not use these products where *pressures* and *temperatures* can exceed those listed under '**Technical Data**'.

Before using these products with fluids other than those specified, for non-industrial applications, life-support systems, or other applications not within published specifications, consult NORGREN.

Through misuse, age, or malfunction, components used in fluid power systems can fail in various modes. The system designer is warned to consider the failure modes of all component parts used in fluid power systems and to provide adequate safeguards to prevent personal injury or damage to equipment in the event of such failure.

System designers must provide a warning to end users in the system instructional manual if protection against a failure mode cannot be adequately provided.

System designers and end users are cautioned to review specific warnings found in instruction sheets packed and shipped with these products where applicable.
